

UNIT 1
REGENTS COURT
WALWORTH IND EST
ANDOVER, HANTS
SP10 3SQ



TELEPHONE
01264 356415
FACSIMILE
01264 337854

Air Vent Technology

INSTALLATION AND GENERAL NOTES FOR ELECTRIC HEATER BATTERIES

PLEASE ENSURE THIS DOCUMENT IS PASSED
ON TO THE END USER OF THIS PRODUCT

GENERAL

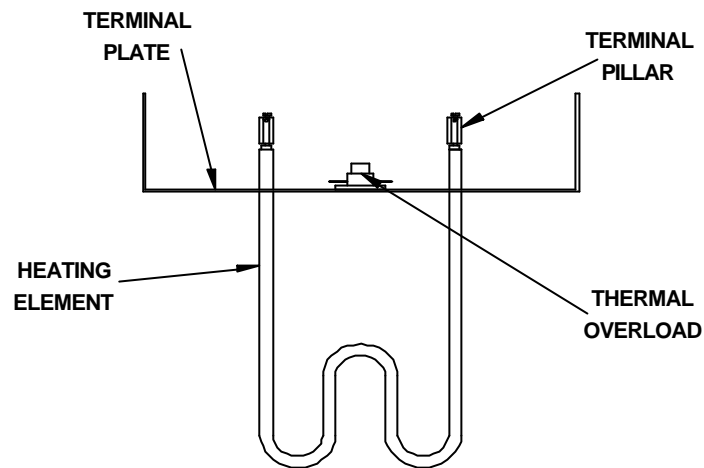
Heaters of the sheathed element type provide a safe means of heating using electricity. The surface temperature of the elements is relatively low and they will not give an electric shock.

Heaters are suitable for either horizontal or vertical airflow, though care should be taken to ensure the cutout is near the top of the duct.

An even flow of air across the elements **MUST** be maintained and the velocity should not fall below 1.75m/s.

The heater should be positioned away from materials that may be damaged by

COMPONENT LAYOUT



CONTROLS

A suitable control system should be installed which must include a timer to **keep the fan running for a period of 2 minutes after the heater has been switched off.**

A range of compatible control panels is available from AVT.

If a speed controller is being fitted, it **MUST NOT** allow the fan to be turned off independently of the control panel nor must it allow the air volume to **FALL BELOW** that stated on the heater nameplate.

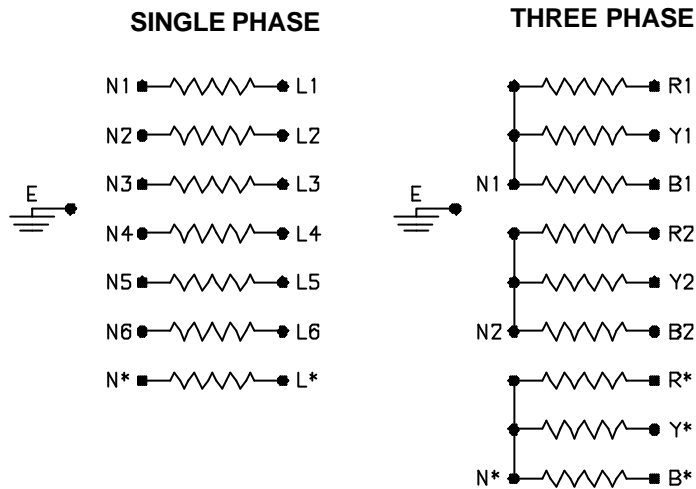
TESTING

Elements are tested prior to despatch and are within a tolerance of $\pm 7.5W$.

Elements stored in damp conditions may require drying out in order to achieve the correct insulation levels. Contact AVT in case of uncertainty.

WIRING INSTRUCTIONS

ELECTRIC HEATERS MUST BE WIRED AND INSTALLED IN ACCORDANCE WITH THE FOLLOWING DIAGRAMS AND INSTRUCTIONS.



Where * = any number of additional steps

1. The electrical supply to the heater should be either 1ph or 3ph (with separate neutrals) - refer to nameplate for clarification.
2. Electrical cables should be of a high temperature, insulated type (i.e. silicone rubber or fibreglass) and be installed in accordance with current IEE wiring regulations.
3. The heater is fitted with a manual reset, thermal overload which will break the contacts when the duct temperature exceeds 130 c. This should be wired in series with the operating coil of the control circuit.
4. Ensure a suitable earth connection is made to the terminal provided.
5. The element studs are fitted with terminal pillars and care should be taken not to over tighten and cause damage to the elements.
6. Always fit an isolator for maintenance of the heater.

IF IN DOUBT CONTACT AVT (01264 356415) AND GIVE THE EHB REFERENCE NUMBER.

ALSO AVAILABLE FROM AVT

IM	I nternal M odular Air Movers
EP	E xtract Units - P lantroom Mounted
ER	E xtract Units - R oof Mounted
SPW	S upply Unit P lantroom mounted - W ater Heated
SPE	S upply Unit P lantroom mounted - E lectric Heated
SRW	S upply Unit R oof mounted - W ater Heated
SRE	S upply Unit R oof mounted - E lectric Heated
PTE	P lantroom Mounted T win E xtract Unit
RTE	R oof Mounted T win E xtract Unit
HRP	H eat R ecovery Unit - P lantroom mounted
HRR	H eat R ecovery Unit - R oof mounted
STP	'Solid Tube' Belt Driven Unit - P lantroom mounted
STR	'Solid Tube' Belt Driven Unit - R oof mounted
SA	'Site Assembly' ST Units
	Duct Mounted Electric Heaters
	Silencers
	Control Panels
	Installation Service